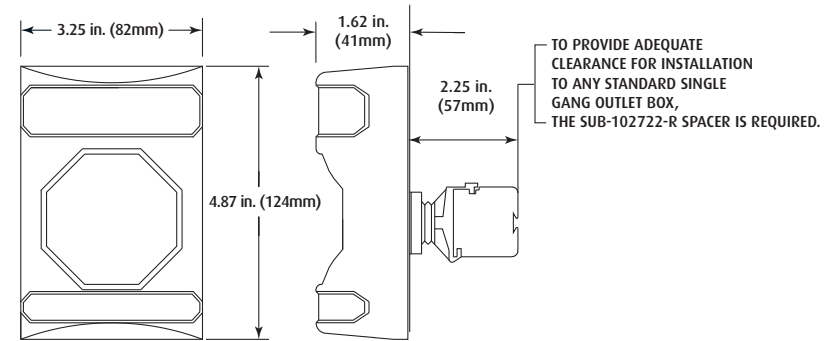
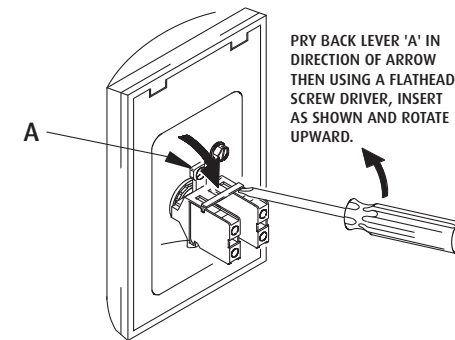


**INSTALLATION OF TERMINAL BLOCKS**

**PRODUCT DIMENSIONS**



**REMOVAL OF TERMINAL BLOCKS**



**⚠ WARNING:** This product can expose you to chemicals including Bisphenol A, which is known to the State of California to cause reproductive harm and Dichloromethane, which is known to the State of California to cause cancer. For more information go to [www.P65Warnings.ca.gov](http://www.P65Warnings.ca.gov).

Three year warranty or a one year limited warranty (from date of purchase) on most products. See website for details. Electronic warranty form at [www.sti-usa.com/wc14](http://www.sti-usa.com/wc14).

**INSTALLATION OF SS-2000F SERIES STOPPER® STATION**

All specifications and information shown were current as of publication and are subject to change without notice.



**ADA  
Compliant**